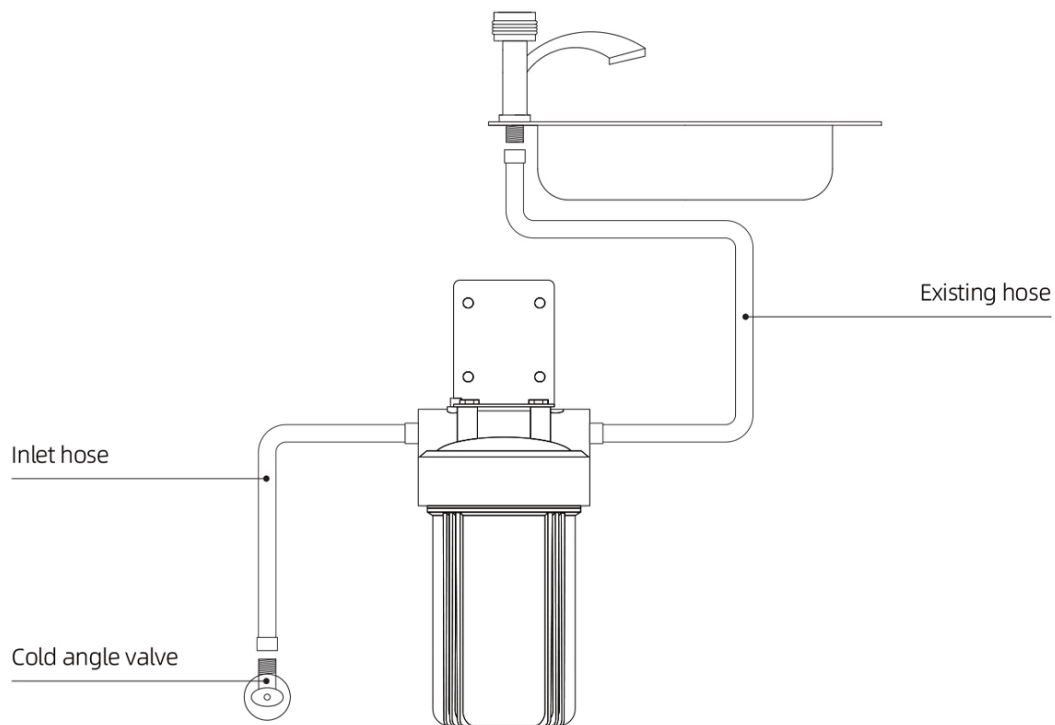


BEYOND WATER

INSTALLATION INSTRUCTION

Thank you for purchasing this undersink water filter system. If you have any questions or need any assistance, please contact us.

SAMPLE CONNECTION



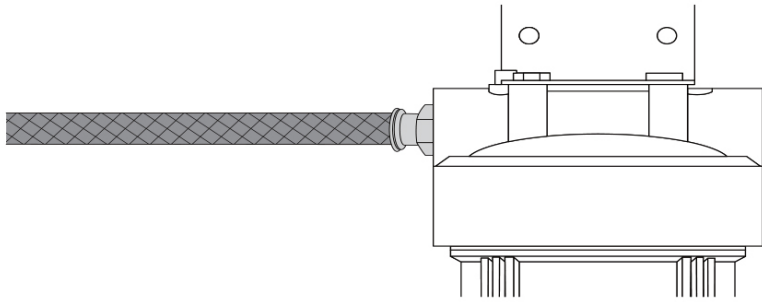
INSTALLATION STEPS

• Precautions:

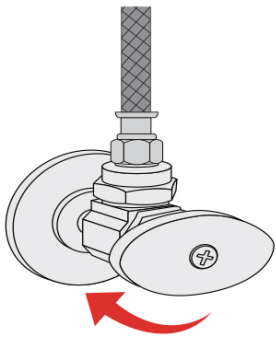
- Do not use with water that is microbiologically unsafe or of unknown quality without adequate disinfection.
- Testing was performed under standard laboratory conditions, actual performance may vary.
- For cold water use only.
- This filter must be protected from freezing, which can cause cracking of the filter and water leakage.
- Do not allow children under 3 years of age to have access to small parts during installation.
- The installation must comply with all applicable state and local regulations.

STEP 1: CONNECT THE FILTER SYSTEM WITH THE HOSES

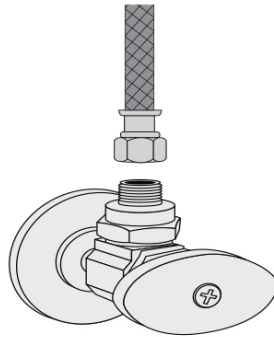
1. Connect the inlet water hose to the supply end of the water filter system.



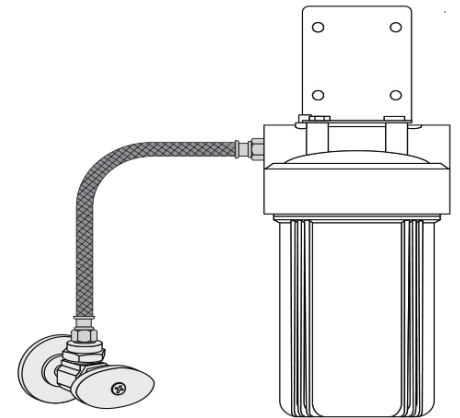
STEP 2: CONNECT THE WATER SUPPLY (COLD WATER ONLY)



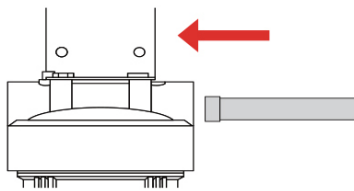
Shut off water supply



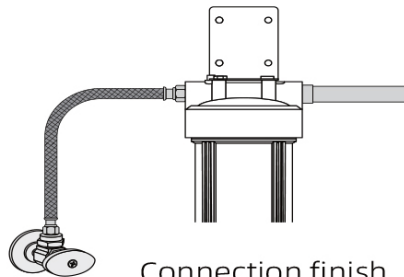
Remove original hose



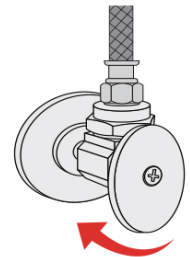
Connect inlet hose



Connect the original faucet hose

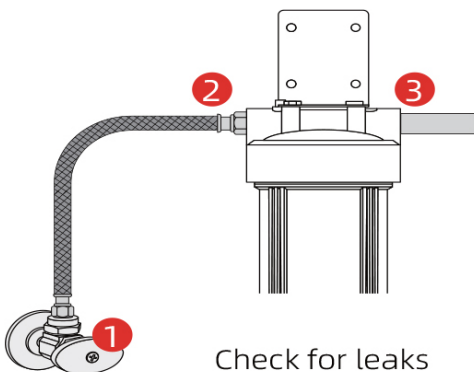


Connection finish



Turn on the valve

STEP 3: CHECK FOR LEAKS AND FLUSH THE FILTER



1. Turn on the water supply to check for leaks
2. Flush the filter for 5 minutes before use